



Railing posts
Infill panels
Pedestrian barriers
Palisade fencing

Railing Posts

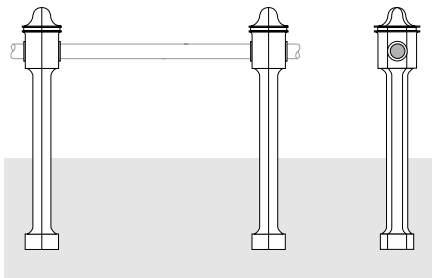
Railing Posts & Barriers

RAILING POSTS

Most systems meet the criteria of BS 7818 which has superseded the old BS 3049 specification.

Cast posts are available in cast iron, ductile iron or aluminium.

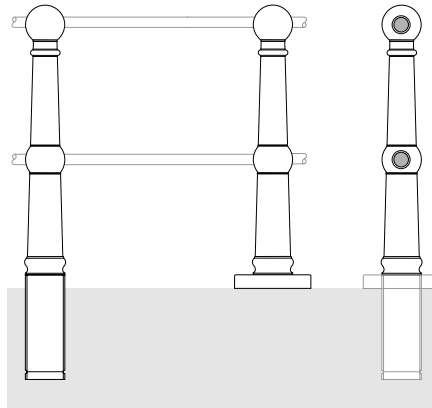
Galvanised steel tube horizontal rails are available in 34, 43 or the most common 48mm diameter sizes. They are supplied direct to site in 6.4m lengths allowing easy installation and ultimate strength.



216



221R



221R

221F

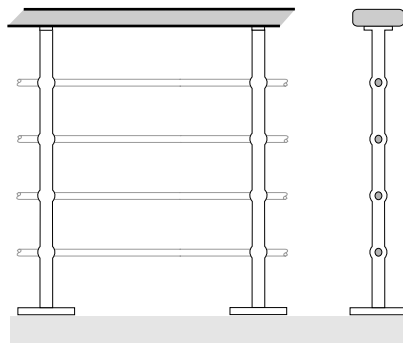


221R

Product dimensions

	height above ground	root depth	rail height			
			1	2	3	4
216	* 500	300	355			
221R	* 890	300	425	875		
221F	* 890	-	425	875		
229	1020	-	220	420	620	820
233R	* 1150	300	320	640	960	
233F	* 1150	-	320	640	960	
233RR	1150	-	300	320	640	960

* stock item



229

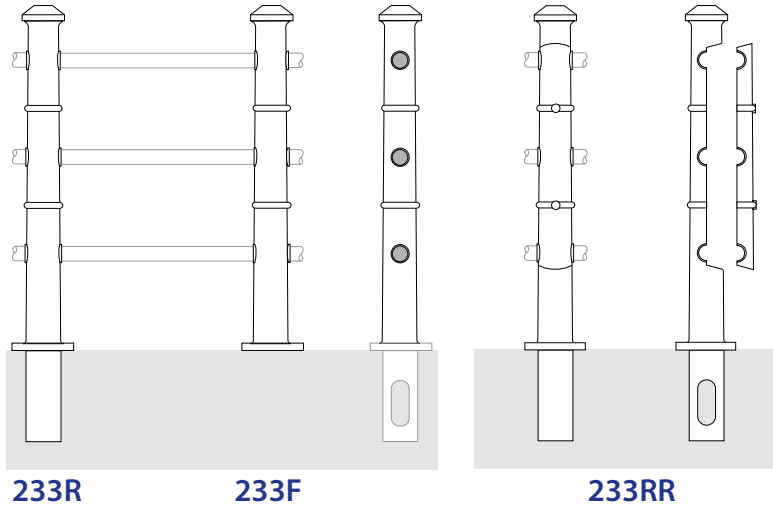


229

Railing Posts & Barriers



RAILING POSTS



CIS type 233 cast railing posts are probably the most robust of all cast rail posts. Their three rail design offers a good compromise between a simple two rail system and a more expensive full height infill panel.

Type 233RR has a removable section and when used with 191/192 base sockets enables the removal of both rails and posts for occasional access to areas such as slipways.



Standard & optional rail sizes

	Standard tube ø	options			
		34	43	48	chain
216	48	✓	✓	✓	✓
221	34	✓	✓	✓	✓
229	21	X	X	X	✓
233	48	✓	✓	✓	✓

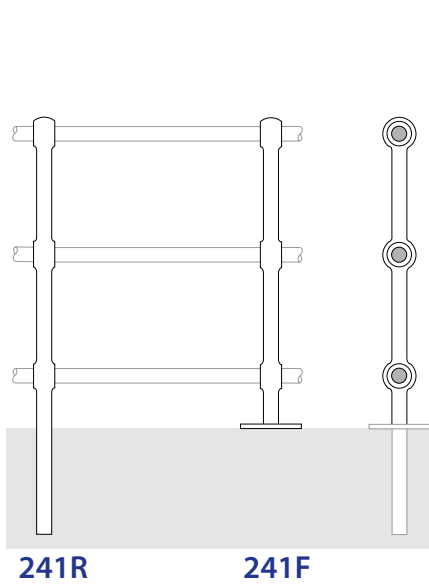
Railing Posts & Barriers

RAILING POSTS

Designs 241 and 246 are both simple and elegant and blend in very well with traditional and modern schemes alike. Both posts are cast as standard in ductile iron, giving them similar strength properties to steel.

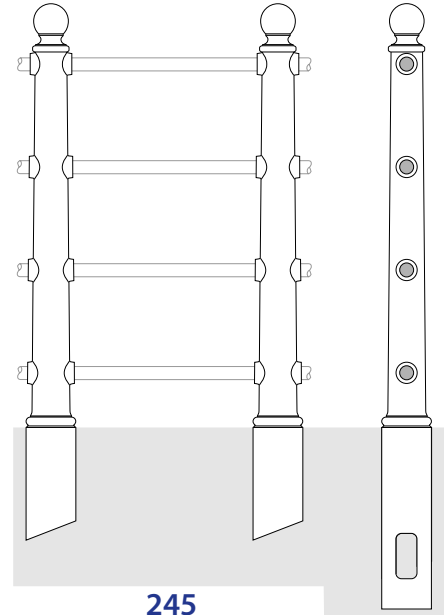


241R



241R

241F



245

Standard & optional rail sizes

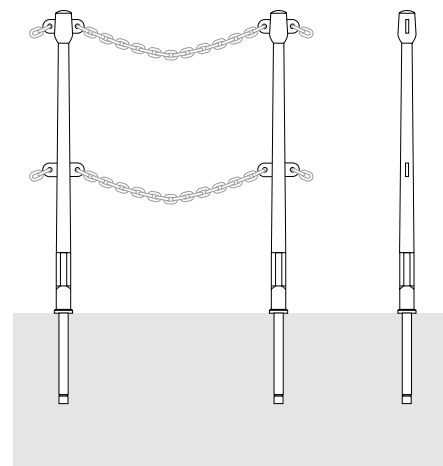
	Standard tube ø	options			
		34	43	48	chain
241	48	X	X	✓	X
245	43	X	✓	X	X
246	chain	X	X	X	✓

Product dimensions

	height above ground	root depth	rail height			
			1	2	3	4
241R	1030	350	175	575	975	
241F	1030	-	175	575	975	
245	1400	600	180	520	860	1200
246	1000	300	475	950		



246

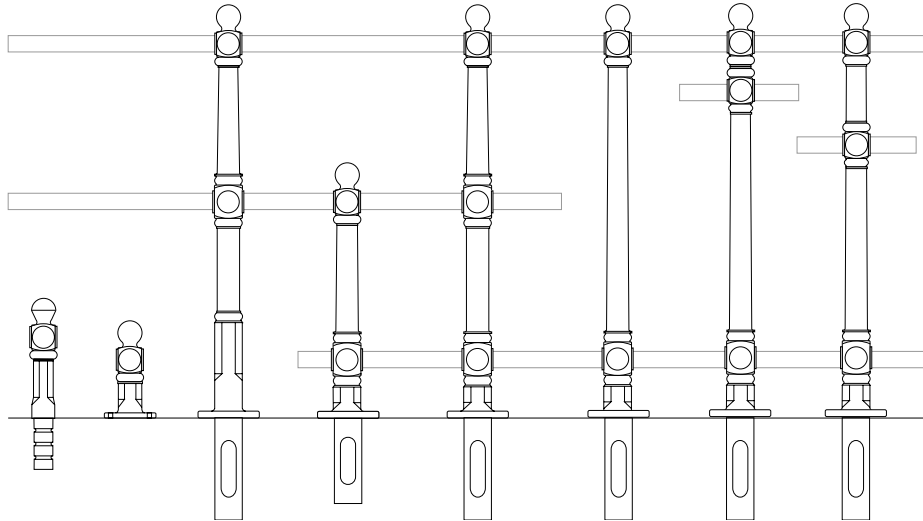


246

Railing Posts & Barriers



RAILING POSTS

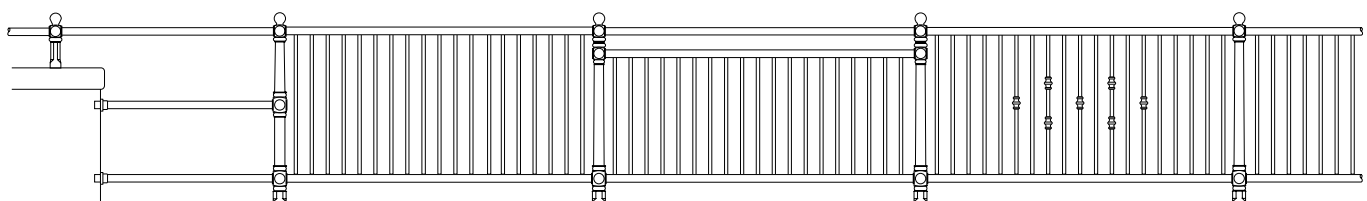
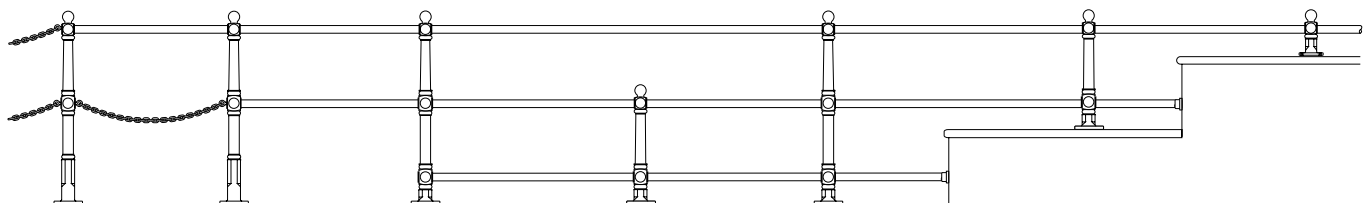


Railing post schemes frequently demand a number of different configurations. Changes of line, level and adjacent usage call for varying degrees of control.

Selection from the series 250 to 256 detailed on the following pages can accommodate most changes imposed by scheme design. All are available in flange base or rooted versions.

The illustrations on this page show how simply transitions can be made.

When correctly specified and installed the range complies with appropriate Department of Transport, building regulations and RoSPA guidelines.

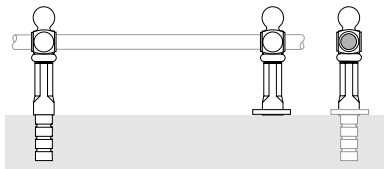


Railing Posts & Barriers

RAILING POSTS

Posts on these two pages are designed primarily to be used with tubular rails. These systems are often used to segregate the public from areas of potential danger.

They can be found within town centres, retail parks, the waterside, bridges, and locks. All posts are available to accommodate slopes (see page 2.13) and may be used to aid disabled access.



250R

250F



251

Product dimensions

	height above ground	root depth	rail height		
			1	2	3
250R *	355	151	238		
250F *	355	-	238		
251 *	295	-	172		
252R *	1220	300	636	1100	
252F *	1220	-	636	1100	
253R/1	750	250	636		
253R *	750	250	172	636	
253F *	750	-	172	636	
254R *	1220	300	172	636	1100
254F *	1220	-	172	636	1100

* stock item



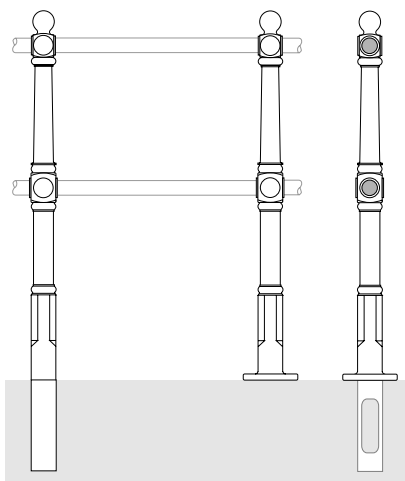
250F

Standard & optional rail sizes

	Standard tube ø	options	
		34	43
250	48	✓	✓
251	48	✓	✓
252	48	✓	✓
253	48	✓	✓
254	48	✓	✓



252F



252R

252F



252R

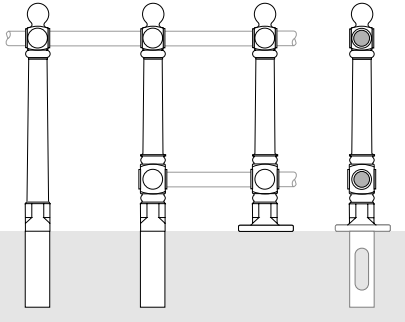
Railing Posts & Barriers



RAILING POSTS



253R

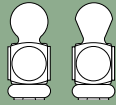


253R/1 253R 253F



253R

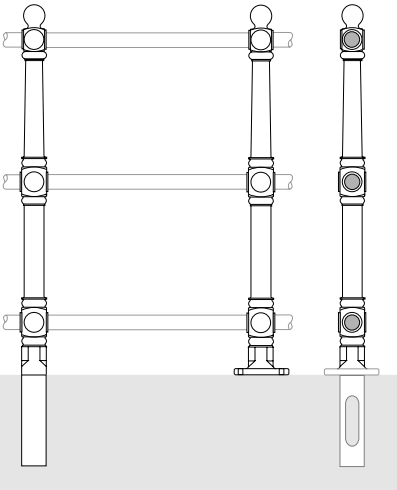
An alternative design of top is also available.



Standard Alternative (W)



254F



254R 254F



254F



254FW + 271



254F

Railing Posts & Barriers

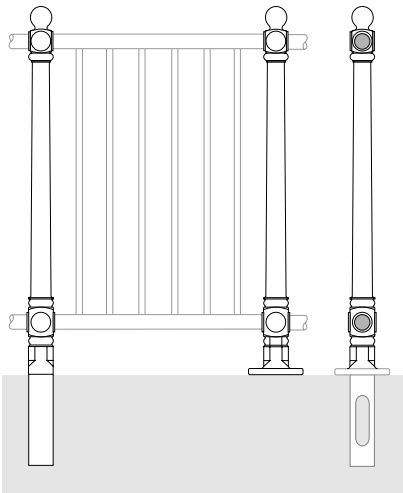
RAILING POSTS

Full height railing panels combined with posts are the ultimate protective railing system.

All posts on this page have either full height panels or 3/4 height panels. This latter arrangement is commonly referred to as a view rail type panel. It gives good visibility to car drivers and are most often used in urban environments.

The design has been enhanced further by creating our type 256X R rail post. This has a much greater gap between the top rail and the second rail.

These posts are designed to accept a type 271 infill panel as standard.



255R

255F



255F



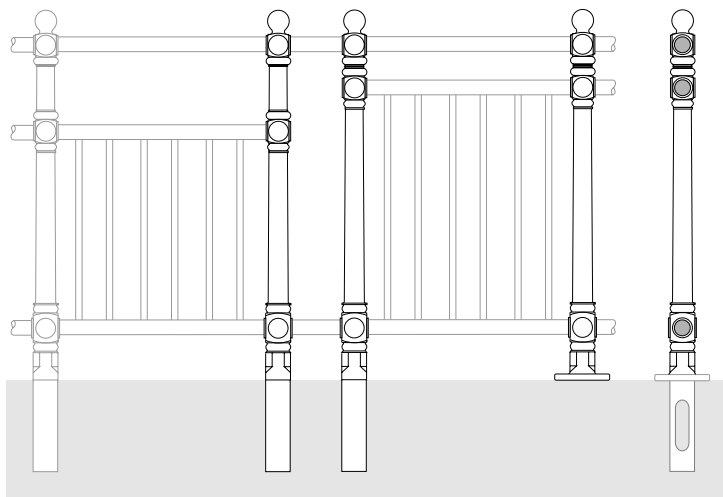
255F



255R



256XR



256XR

256R

256F

Railing Posts & Barriers



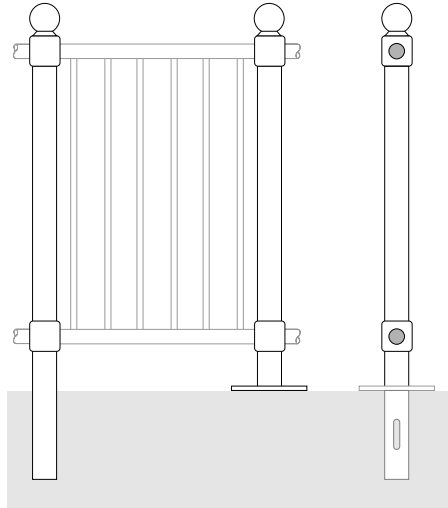
RAILING POSTS

The posts on this page (257 & 258) have been designed to be used with infill panels. They are used in areas where a greater degree of pedestrian restraint is required. Details of panels are shown on pages 12 & 13.

Type 258RR features the CIS split post system for replacement of panels or temporary access.

Standard & optional rail sizes

	Standard tube ø	option
255	48	43
256X	48	43
256	48	43
257	48	-
258	48	-



257R

257F

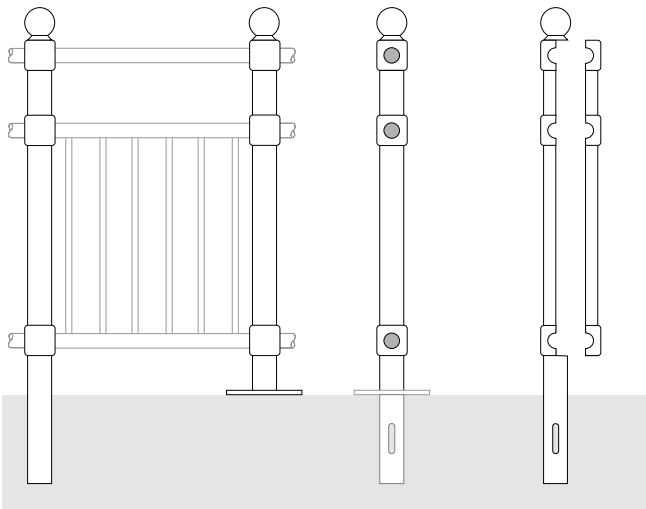
Product dimensions

	height above ground	root depth	rail height		
			1	2	3
255R	* 1220	300	172	1100	
255F	* 1220	-	172	1100	
256XR	1220	300	172	822	1100
256R	* 1220	300	172	960	1100
256F	* 1220	-	172	960	1100
257R	* 1280	300	175	1125	
257F	* 1280	-	175	1125	
258R	* 1280	300	175	875	1125
258F	* 1280	-	175	875	1125
258RR	1280	300	175	875	1125

* stock item



258R



258R

258F

258RR



258R

Railing Posts & Barriers

RAILING POSTS

Railing types 260 and 262 are traditionally found in quayside environments. The curved design gives them inherent strength.

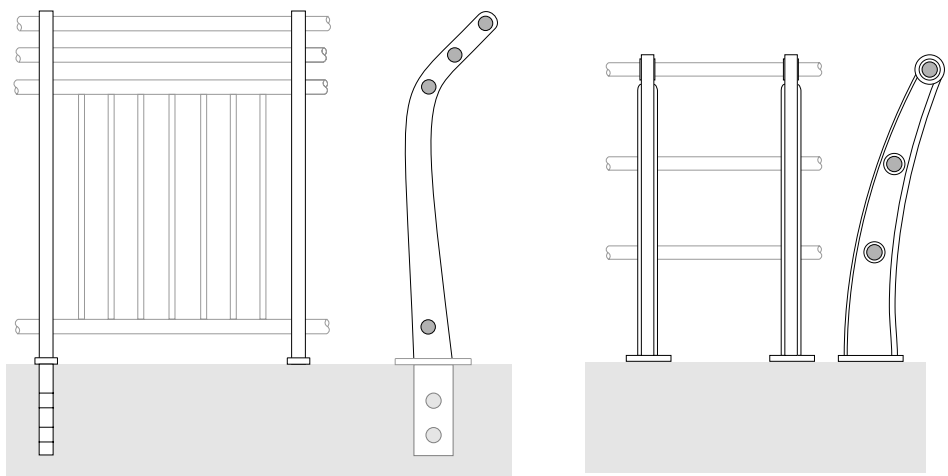
With the rail set curved towards pedestrians it discourages climbing. Alternatively with the rail curved away from pedestrians it would form a comfortable viewing platform.

A perch rail is supported by post type 261. This provides a short term seating facility in queuing racks or bus stands and would be particularly useful at theme parks and bus or rail stations.

Posts 260, 261 & 262 carry a 48mm diameter rail.



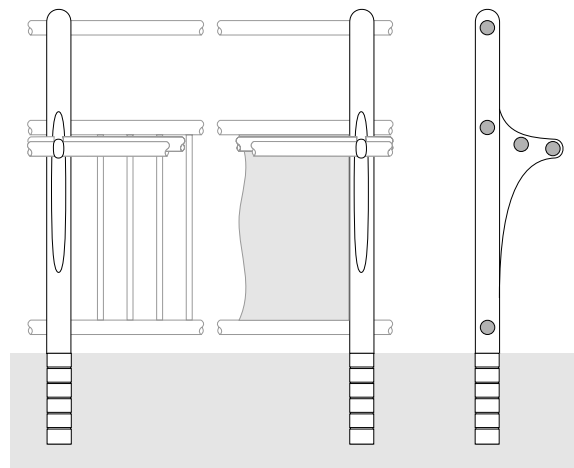
262F



260R

260F

262F



261

Product dimensions

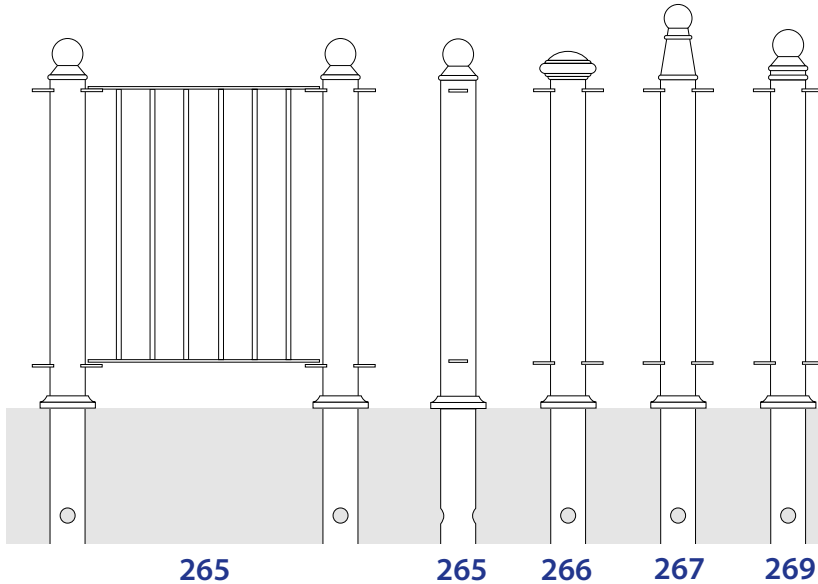
	height above ground	root depth	rail height			
			1	2	3	4
260R	1165	300	125	915	1020	1125
260F	1165	-	125	915	1020	1125
261R	1135	300	85	675	745	1075
262F	* 1040	-	370	670	990	

* stock item

Railing Posts & Barriers



RAILING POSTS



Types 265, 266, 267 and 269 are composite cast iron and steel. All steel is galvanised to BS 729 prior to assembly with the cast top or base.

Posts and panels can be supplied in primer paint or fully painted in a two pack epoxy acrylic finish. 265 - 269 bollards are designed to be used with standard 276 type infill panels (illustrated on page 2.12).

Although a single post type can be used throughout a scheme the essential feature of this system is that other posts may be used (such as the 267) at junctions, end of railing runs etc.

This can be used to aid navigation by the visually impaired.

Panels are bolted to the posts for easy maintenance. The loose cover plates provide a neat surface finish.



269

Product dimensions

		height above ground	root depth	rail height	
				1	2
265	*	1210	450	150	1050
266	*	1130	450	150	1050
267		1360	450	150	1050
269	*	1235	450	150	1050

* stock item

Railing Posts & Barriers

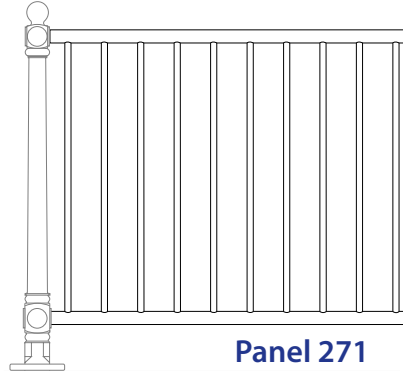
INFILL PANELS

These galvanised steel infill panels are designed to be used with posts from the preceding pages.

Height is determined by the post used. Length of panel is 2m as standard but this can be varied.

The type number defines the construction details of the panel.

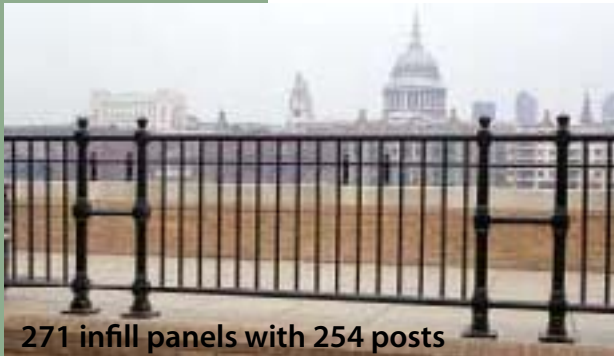
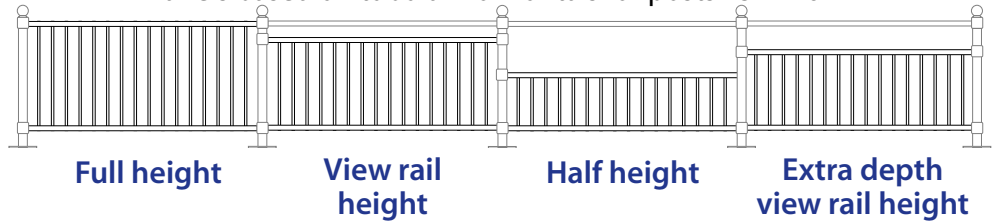
A mesh infill panel may be used in place of vertical bars. This is particularly useful as splash protection for half height panels.



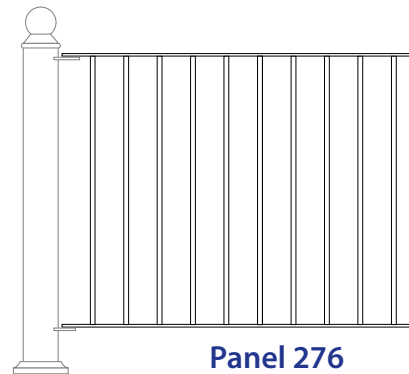
Product dimensions

	horizontal rail Ø	vertical bar Ø	maximum vertical bar spacing
270	43	21	120
271	48	21	120
272	48	27	126

Panels based on tubular horizontals for posts 251 - 261



271 infill panels with 254 posts



Panel 276

Panels based on flat horizontals for posts 265 - 269. Verticals may be offset or in-line.

PLAN

276		In-line
276S		Offset

Product dimensions

	horizontal rail	vertical bar	vertical bar spacing	Layout
276L	70x8	16x16	115	in-line
276S	70x8	16x16	111	offset

For use with posts 265 - 269.



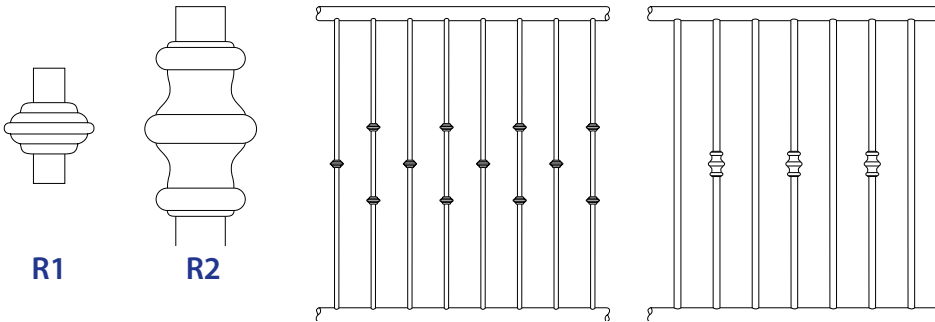
276S infill panels with 265 posts

Railing Posts & Barriers



ORNAMENTAL PANELS

Ornamental rings provide a simple decorative effect. Alternatively custom features can be created especially to your designs.



256F posts with 271 infill panels plus R1 & R2 rings

GRADIENTS



There are several ways of dealing with gradients. The options are determined by post type and slope.

Handrails can be fitted to the side of the posts.

Rails are best bent on site during installation.

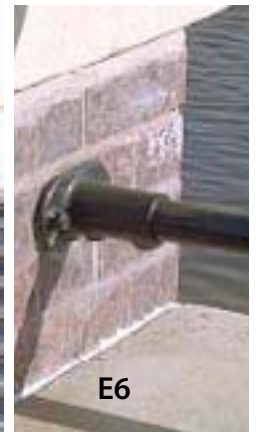
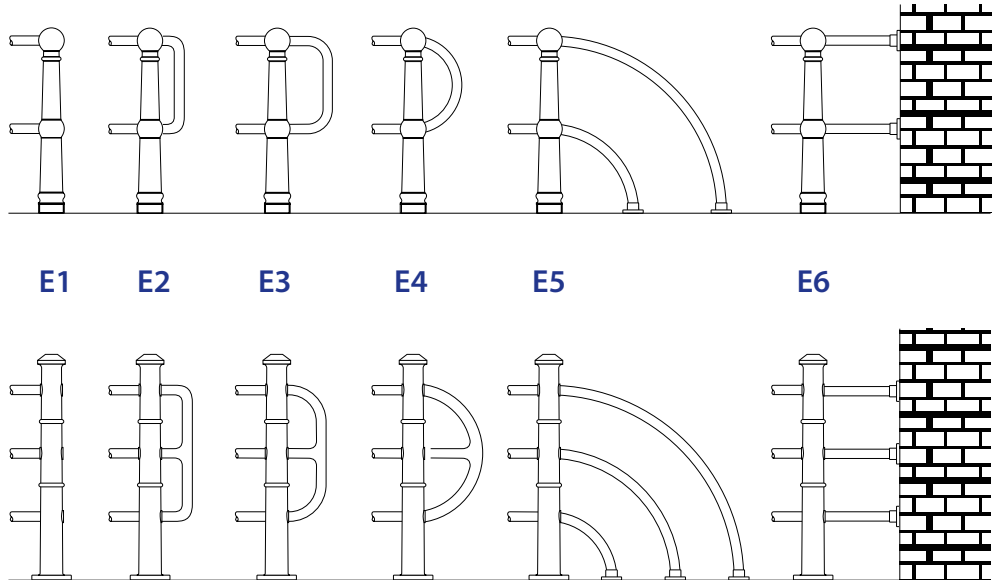
Railing Posts & Barriers

RAIL ENDS

Schemes are enhanced by careful detailing at little or no additional cost.

This page illustrates some solutions to common problems. You are invited to discuss details of your particular scheme with our technical staff.

There is a large choice of possible endings to a run of railings. These may be specified using the code numbers E1 to E6 as appropriate.

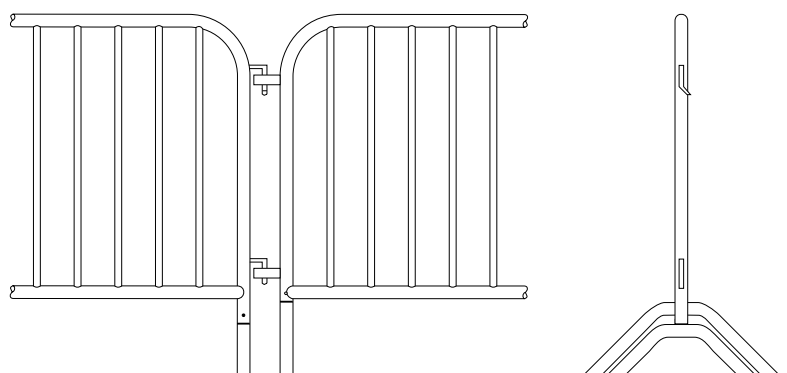
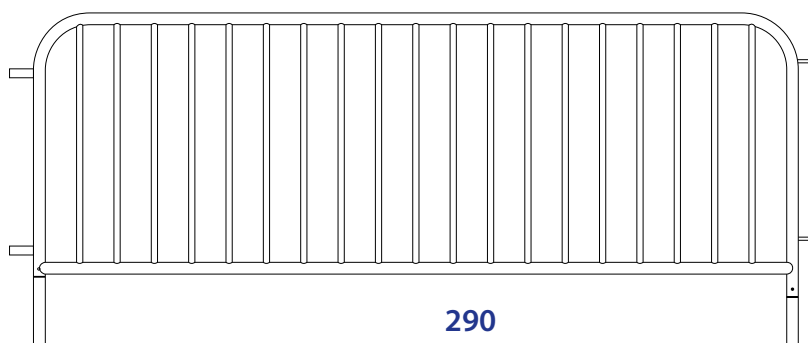


Railing Posts & Barriers



CROWD BARRIERS

Type 290 freestanding galvanised steel barriers interlock to form a secure run when fixed at the ends. The feet, which are removable for compact storage, are non-interfering and allow barriers to be set at any angle.



Dimensions

Height	1075
Width	2460
Leg spread	600
Bar gap	120
Frame Ø	38
Verticals Ø	20

290 is a stock item



Railing Posts & Barriers

BOW-TOP FENCING

Type 289 is a recognised galvanised steel safety fence frequently used where children play.

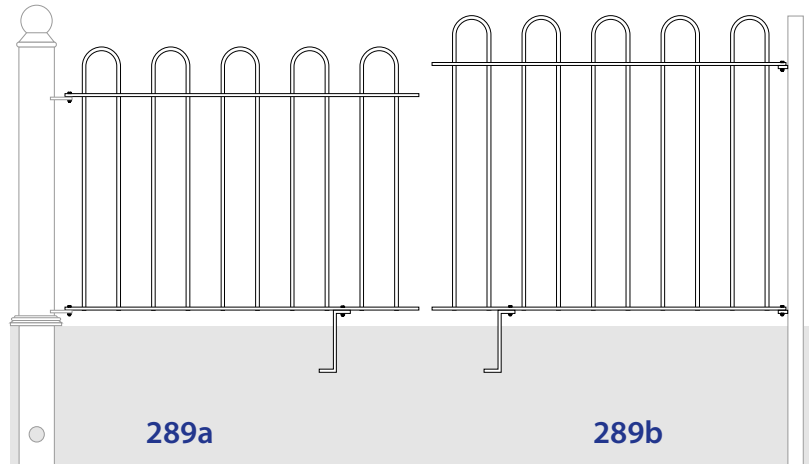
The panels may be bolted to RSJs, plain posts or composite posts such as type 265.

Heights are from 700mm up to a maximum of 1.8 metres. Single and double leaf self-closing gates are also available. All are supplied as standard self-colour galvanised. Polyester powder coating in a range of BS and RAL colours is an optional extra.

Dimensions

	289a	289b
Height	900	1000
Width	2700	2700
Bar gap	112	112

289a is a stock item



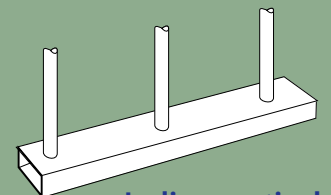
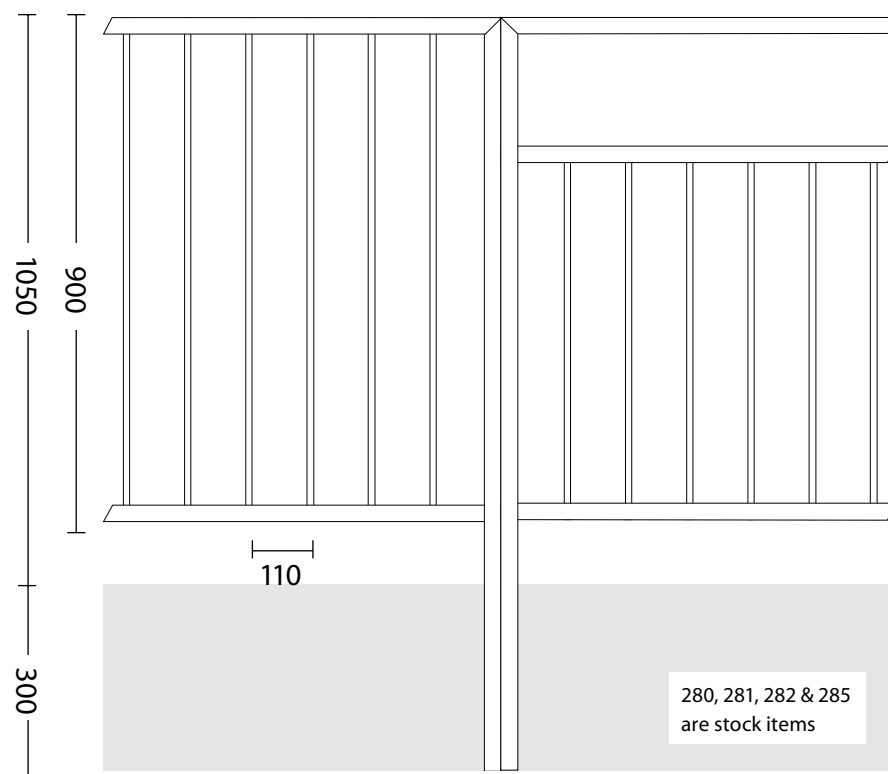
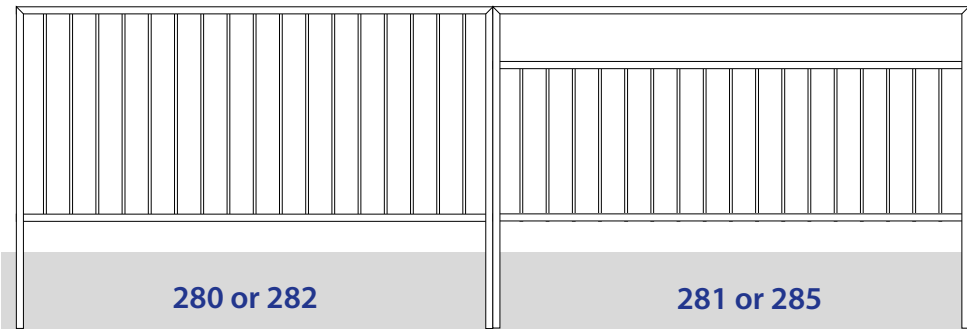
Railing Posts & Barriers



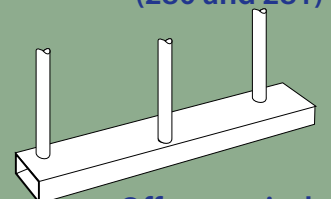
PEDESTRIAN BARRIERS

Standard pedestrian guard rail types 280-285 are of galvanised steel construction. Conforming to the current BS 7818 specification they offer good protection in pedestrian areas. These designs are widely used throughout the UK.

All standard panels are 2 metres wide and may be supplied as full height or including a view rail, and with in-line or offset verticals. Non standard panel lengths are available made to order.



In-line verticals
(280 and 281)



Offset verticals
(282 and 285)



Railing Posts & Barriers

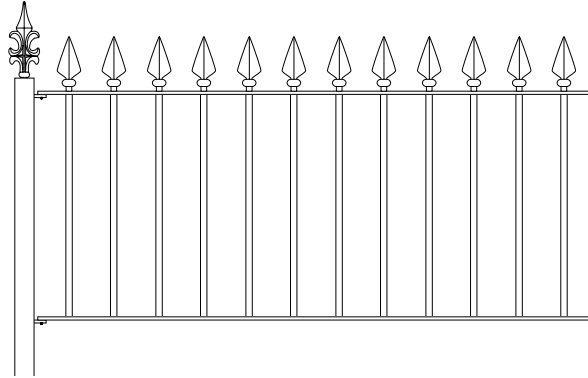
PALISADE FENCING

This traditional fencing offers elegance and security whilst allowing freedom for architectural content.

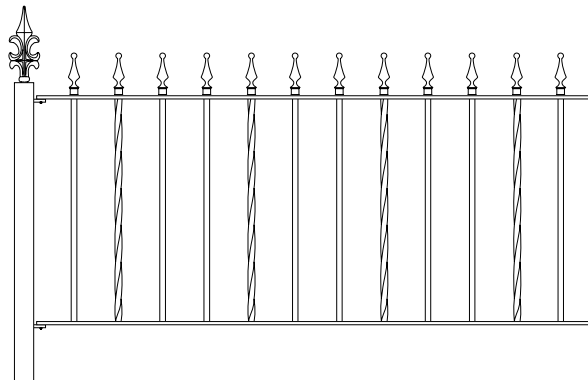
Finials and vertical bars are in various styles, some of which are illustrated. Gates to match fence sections are also available.

Designs comply with building regulations and can be installed to follow RoSPA guidelines.

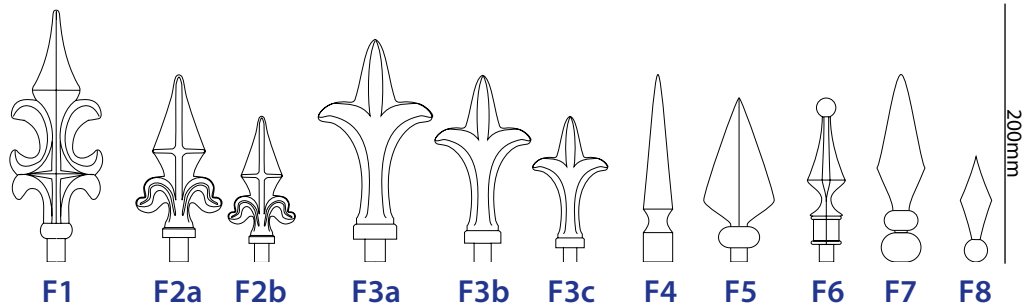
As virtually every installation is different please consult our sales department to discuss your requirements.



288a + F5



288b + F6

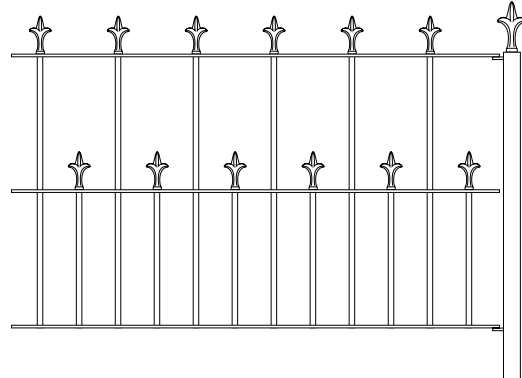


Railing Posts & Barriers

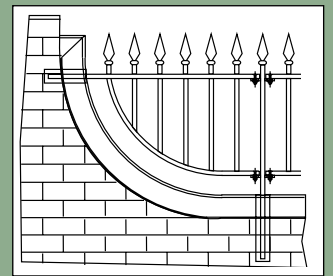
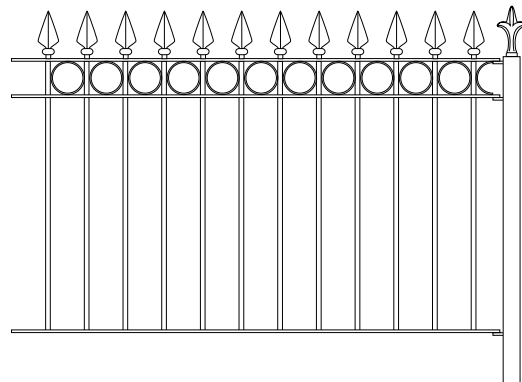


PALISADE FENCING

288c + F3b



288d + F5



SPECIALS

Using a fabricated design for fencing frees the designer from the constraints of castings.

Combining differing shapes with interesting features and finials the most striking designs can be formed, modern or traditional.

Our own designers would welcome the opportunity to assist you to transform your ideas into reality.



Certificate Number FM 32898

CIS Street Furniture
Albany Court
Blenheim Road
Airfield Industrial Estate
ASHBOURNE
Derbyshire
DE6 1HA

T: 01335 300234

F: 01335 300353

E: sales@cis-streetfurniture.co.uk

W: www.cis-streetfurniture.co.uk

Fixings

All fixing details and foundations are purely advisory. Ground and service conditions may vary locally. We advise you to consult a structural engineer if in any doubt.

In line with our policy of continual improvement, we reserve the right to change, without prior notice, any of the data contained in this publication. The information given is believed to be correct at the time of printing.

CIS Street Furniture is a trading name of DKT Group Ltd. All rights reserved. Neither whole nor part of this publication may be copied without the written permission of the publishers. The designs are the property of DKT Group Ltd and may not be reproduced without express permission. © September 2000.