



FALCOTEL-E

Part code	Description
23.000.000	FalcoTel-E base section, roof of corrugated metal sheeting, length 4000mm
23.010.000	FalcoTel-E add-on section, roof of corrugated metal sheeting, length 4000mm
23.020.000	back wall with corrugated metal sheeting
23.028.000	back wall with hardwood lattice work
23.040.000	end wall with corrugated metal sheeting
23.048.000	end wall with hardwood lattice work

FALCOTEL

The FalcoTel range is another popular modular product capable of meeting most applications.

There are a wide number of configurations of the FalcoTel family from a simple open canopy or double sided unit to a secure lockable store or wall mounted canopy.

The pitched roof means all rain water is directed towards the rear of the store and away from the door areas.

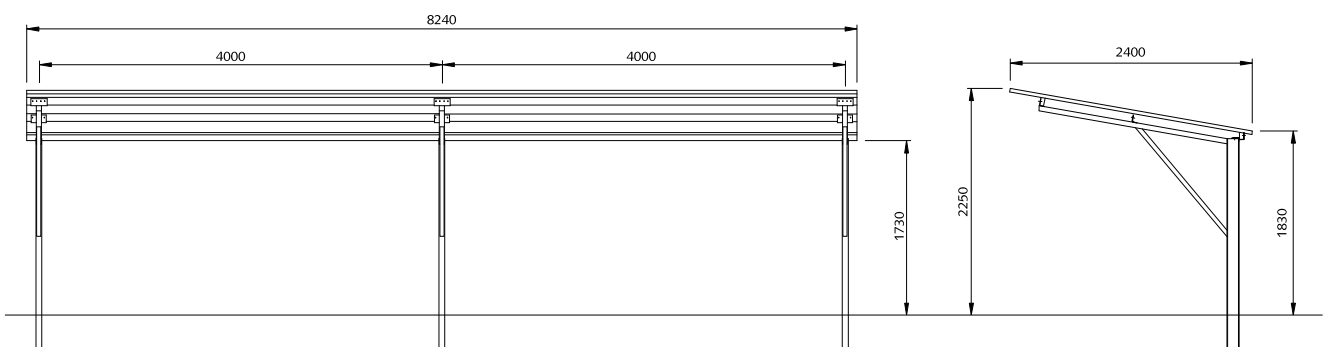
FALCOTEL-E

This is the basic building block of the range with uprights and the roof section – a very affordable and simple design.

By adding back and side walls, the FalcoTel-E can be supplied as an enclosed shelter with optional cladding in hardwood, corrugated metal sheets or steel mesh to meet various design schemes. Like most Falco products, the shelter is modular enabling it to be extended as required.



1x Part code 23.000.000 + 1x Part code 23.010.000



FALCOTEL-D

The FalcoTel-D is a double sided variant of the FalcoTel-E. With a distinct 'Y' shaped section, the FalcoTel-D has great symmetrical lines as well as complimenting the single sided version of the range.

As an 'island' unit, the FalcoTel-D can be used as a stand alone unit or in rows to create a large storage compound.

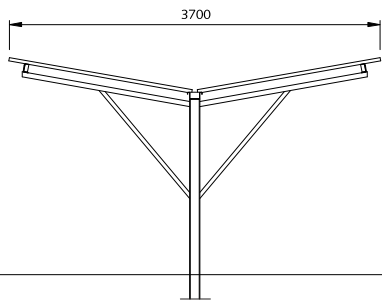
The pitched roof section channels rainwater to the centre of the structure where it is collected in a gutter and discharged via a drain pipe to ground level.

As with the single sided version, cladding is available for the end panels enabling designers to add playful variations to the scheme. The standard module is 4,000mm between the centres of the uprights and the canopy has a span of 3,700mm.

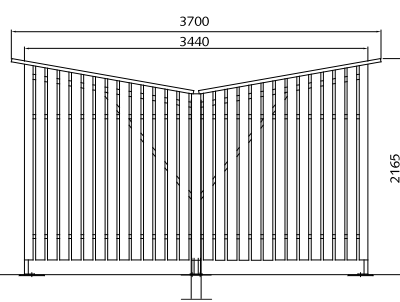
FALCOTEL-D

Part code	Description
23.500.000	FalcoTel-D base section with roof of aluzinc corrugated sheets, length 4000mm
23.510.000	FalcoTel-D add-on section with roof of aluzinc corrugated sheets, length 4000mm
23.540.000	prefab side frame with aluzinc sheets and diagonal top
23.548.000	end wall with hardwood lattice work, slanting form
23.550.300	prefab pointed side frame with aluzinc sheets and diagonal top
23.558.300	prefab pointed side frame with hardwood slats and diagonal top

without end wall



FalcoTel-D
end wall with hardwood work



end wall with diagonal top

