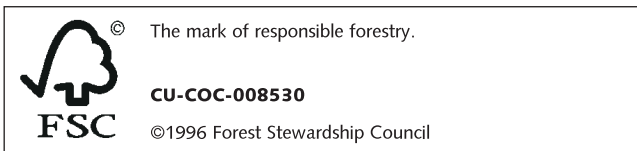
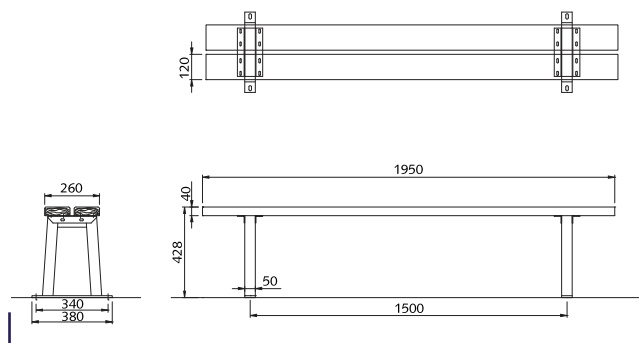




1	FALCOSWAY BENCH
Part code	Description
31.050.121	FalcoSway bench with 2 hardwood slats
31.050.700	additional charge for powdercoating steel construction in a RAL colour
31.051.121	FalcoSway bench with 3 hardwood slats
31.051.700	additional charge for powdercoating steel construction in a RAL colour
2	FALCOSWAY WALL BENCH
Part code	Description
31.900.000	FalcoSway bench support, single
31.900.700	additional charge for powdercoating steel construction in a RAL colour
31.980.001	FSC Hardwood slat 1,950x120x40mm untreated



Part code 31.050.121



FALCOSWAY

FalcoSway is a range of seating which combines the utilitarian styles of park benches with a galvanised steel frame.

In contrast to the FalcoPark and FalcoForest ranges, the FalcoSway has a much lighter and more urban feel.

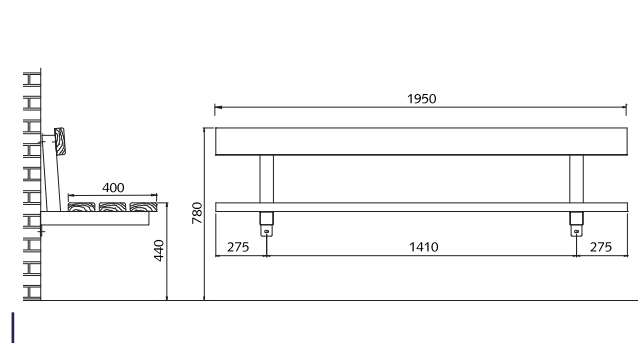
1 FALCOSWAY BENCH

The FalcoSway bench is one of the most economical products in the Falco range. A simple and straightforward design the seat is still robust and functional. The chunky steel supports 40mm thick wood slats are FSC certified hardwood and the all the steelwork is hot dip galvanised to BS EN ISO 1461. Options include either 2 or 3 wooden seat slats. The supports are 1,500mm apart and the bench overall is 1,950mm long, the sit height is 430mm. Additionally the steel elements can be polyester powder coated. To be assembled on site.

2 FALCOSWAY WALL BENCH / SEAT

This is the wall mounted version of the FalcoSway range, where floor mounting is not an option or wall mounting is preferred. The ingenious design allows for with or without a backrest – by using the same support simply mounted upside down. Manufactured from robust 60mm box section and FSC certified hardwood, the seats are 1,950mm long. Again all steelwork is hot dip galvanised and can be powder coated if required. Delivery is in parts.

FalcoSway wall bench with 1 back part



1 FALCOSWAY SEAT SINGLE

The FalcoSway seat is a simple design with two individual steel supports. The bench is equipped with 3 hardwood sitting slats 40mm thick and a single wood backrest, all in FSC certified hardwood.

The steel parts are hot dip galvanised and the seat is 1,950mm long with a sit height of 450mm.

2 FALCOSWAY SEAT DOUBLE

This is a more sturdy version of the seat with a backrest and an angled seating area. Additionally the seat has two slats for the backrest making it more substantial. The supporting structure is manufactured from 50mm galvanised steel box section.

The double seat version is also available as a table, 1,400mm x 730mm, using the same construction as the seat. The seat is 1,950mm long and all the wood slats are FSC certified hardwood, 40mm thick.

1 FALCOSWAY SEAT SINGLE

Part code	Description
31.001.011	FalcoSway seat single backrest, seat length 1,950mm, weight 50kg
31.001.700	additional charge for powdercoating steel construction in a RAL colour

2 FALCOSWAY SEAT DOUBLE

Part code	Description
31.022.001	FalcoSway seat double backrest, seat length 1,950mm, weight 60kg
31.022.700	additional charge for powdercoating steel construction in a RAL colour
31.025.001	FalcoSway table with 6 FSC hardwood slats
31.025.700	additional charge for powdercoating steel construction in a RAL colour

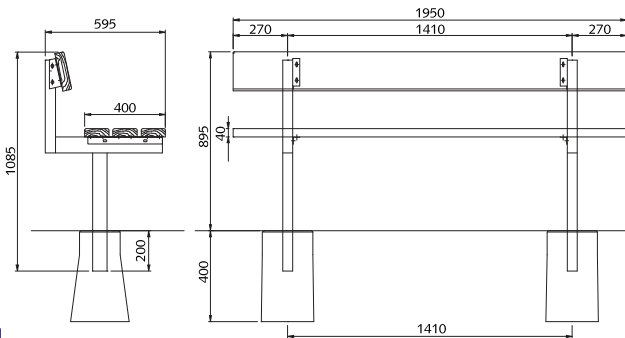


The mark of responsible forestry.

CU-COC-008530

©1996 Forest Stewardship Council

Part code 31.001.012



Part code 31.022.001

