



FALCOLITE	
Part code	Description
76.309.050	FalcoLite starter section roof and back wall polycarbonate
76.319.050	FalcoLite add-on section roof and back wall polycarbonate
76.309.700	powder coating of starter section
76.319.700	powder coating of add-on section
76.349.052	end wall in polycarbonate
76.349.1xx*	end wall, Trespa
These end walls can also be supplied in:	
code .145	Trespa, colour white, No. A03.0.0
code .149	Trespa, colour yellow, No. A04.1.7
code .153	Trespa, colour red, No. A12.3.7
code .157	Trespa, colour blue, No. A21.5.4
code .161	Trespa, colour grey, No. A03.4.0
code .165	Trespa, colour green, No. A32.7.2

parking, the possibilities are endless using the modular nature of the FalcoLite. Available in three distinct variants; single sided, double-sided or combi, the FalcoLite is not only a robust and flexible shelter it is also very attractive and highly cost effective. With different roof and side wall options and capable of combining with most cycle racks or benches, the FalcoLite is our most flexible and popular shelter.

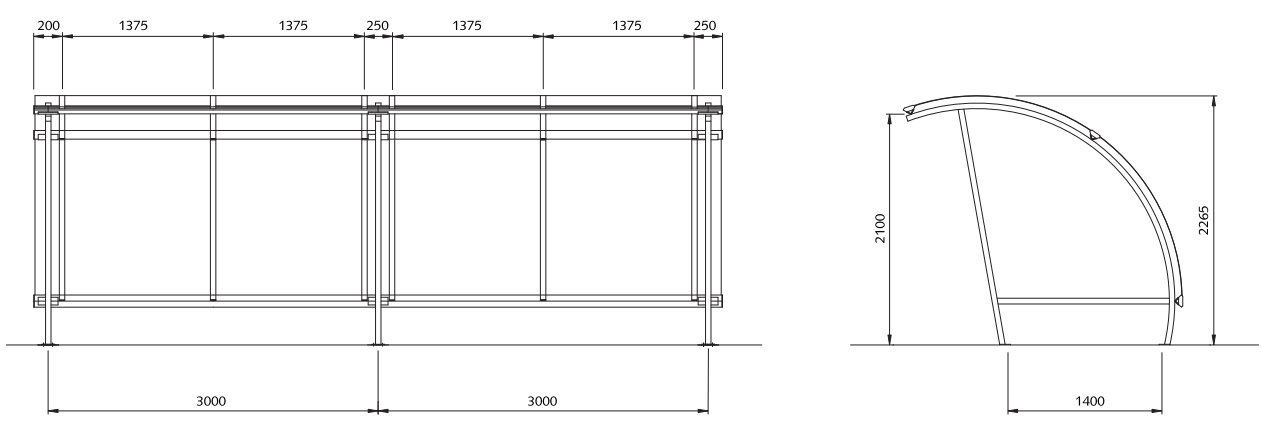
FALCOLITE SINGLE BAY

The FalcoLite single bay unit is a simple, classic shelter. With a natural curve and angled front support, the single bay combines strength with great design lines. Additionally the FalcoLite incorporates integral gutters so that when used as a waiting shelter, there is no rain dripping to the shelter entrance. A single unit can be easily extended using 'add-on' units to create a continuous line of covered shelter as far as you need. Like all Falco products, as a stand alone, bolt down unit, it is simple to install and under normal use will remain maintenance free for many years creating a very low cost of ownership. The FalcoLite can be used as a smoking shelter complete with bench and ashtray. Also available with acrylic sheets.

FALCOLITE

The FalcoLite is our flagship shelter – stylish and functional. From housing 8 cycles in a simple 1 bay unit to providing mass cycle

FalcoLite, single bay

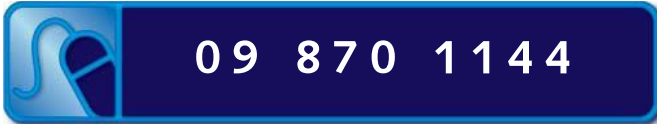


FALCOLITE DOUBLE SIDED

The FalcoLite Double Sided version of the shelter brings two FalcoLite shelters back to back in an attractive 'Gull wing' effect. Where access is at a premium, this design creates an 'island' effect enabling cycles to be parked double sided with either double sided racks or single units placed back to back.

The double sided FalcoLite can also be used in conjunction with a single bay to build up multiple parking systems.

We have many project images available, give us a call.



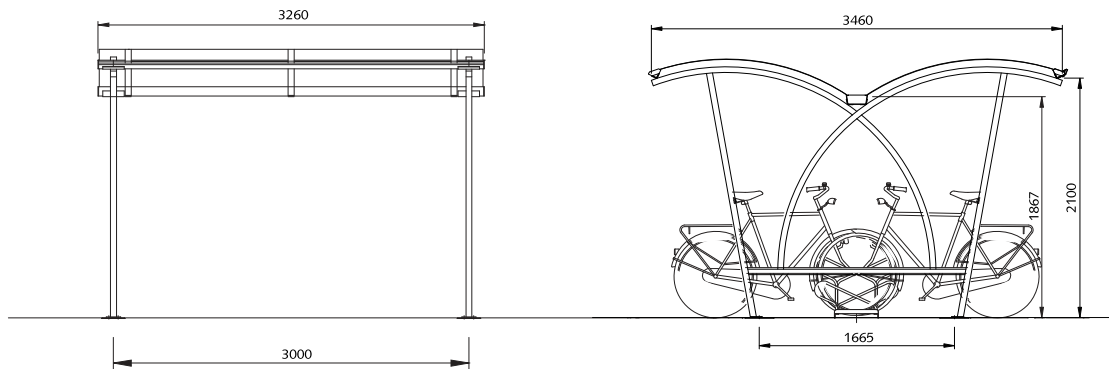
FALCOLITE DOUBLE SIDED

Part code	Description
76.409.050	FalcoLite double sided starter section
76.419.050	FalcoLite double sided add-on section
76.449.052	end wall Closed in 1 part, polycarbonate
76.459.1xx*	end wall Closed in 1 part, Trespa
76.469.1xx*	end wall Closed in 3 parts, Trespa

These end walls can also be supplied in:

code .145	Trespa, colour white, No. A03.0.0
code .149	Trespa, colour yellow, No. A04.1.7
code .153	Trespa, colour red, No. A12.3.7
code .157	Trespa, colour blue, No. A21.5.4
code .161	Trespa, colour grey, No. A03.4.0
code .165	Trespa, colour green, No. A32.7.2

FalcoLite, double sided





FALCOLITE COMBI	
Part code	Description
76.369.050	FalcoLite walkway canopy, base section, with clear polycarbonate covering
76.379.050	FalcoLite walkway canopy, add-on section, with clear polycarbonate covering
76.389.052	walkway closure for FalcoLite canopy of clear polycarbonate, delivery together with the shelter
76.390.052	walkway closure for FalcoLite canopy with single revolving door for FalcoLite of polycarbonate

FALCOLITE COMBI

A useful combination is to create a cycle compound with cycle parking each side by placing two FalcoLite's facing each other. Compounds have the advantage of providing wide coverage whilst retaining maximum visibility.

By providing an optional walkway cover down the middle or panels at each end it is possible to produce a fully enclosed area - a dedicated and secure weather shelter.

Additionally by combining a FalcoLite double (page 209) with the combi, it is possible to create a truly impressive design led solution for any use.



WWW.ELPAC.FI

FalcoLite, combi

