

1 GUIDE RAIL

These guide rails are offered with a diameter of 76.1 mm in galvanized steel tubing, can be powder coated in any of 192 standard RAL colours.

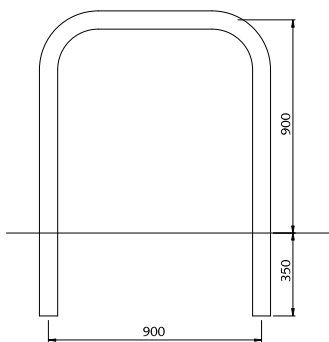
Available in 8 standard lengths as listed.

2 BASE SLEEVE

All the guide rails can be offered in a removable form, without any further modifications to the rails and with simple tools.



Part code 02.570.000



1 GUIDE RAIL	
Part code	Description
02.570.000	guide rail, tubing diameter 76.1 mm, length 900mm, total height 1250mm
02.571.000	guide rail, tubing diameter 76.1 mm, length 1200mm, total height 1250mm
02.572.000	guide rail, tubing diameter 76.1 mm, length 1500mm, total height 1250mm
02.573.000	guide rail, tubing diameter 76.1 mm, length 1800mm, total height 1250mm
02.574.000	guide rail, tubing diameter 76.1 mm, length 2100mm, total height 1250mm
02.575.000	guide rail, tubing diameter 76.1 mm, length 2400mm, total height 1250mm
02.576.000	guide rail, tubing diameter 76.1 mm, length 2700mm, total height 1250mm
02.577.000	guide rail, tubing diameter 76.1 mm, length 3000mm, total height 1250mm
02.57x.700	additional charge for powdercoating in RAL colour
2 BASE SLEEVE WITH COMPRESSION FIXING	
Part code	Description
02.305.000	length 200 mm, for tubing Ø 41.5 mm
02.315.000	length 200 mm, for tubing Ø 47.5 mm
02.325.000	length 200 mm, for tubing Ø 60.3 mm
02.335.000	length 200 mm, for tubing Ø 76.1 mm
02.306.000	length 500 mm, for tubing Ø 41.5 mm
02.316.000	length 500 mm, for tubing Ø 47.5 mm
02.326.000	length 500 mm, for tubing Ø 60.3 mm
02.336.000	length 500 mm, for tubing Ø 76.1 mm

