



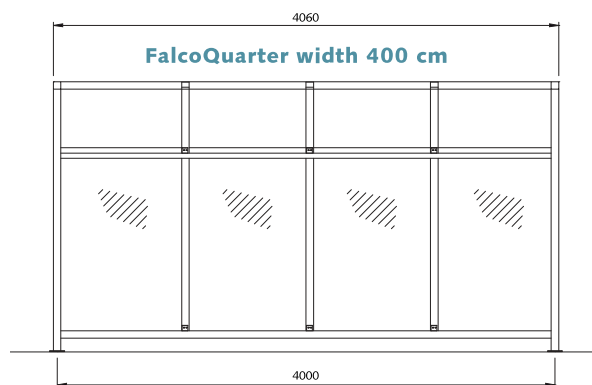
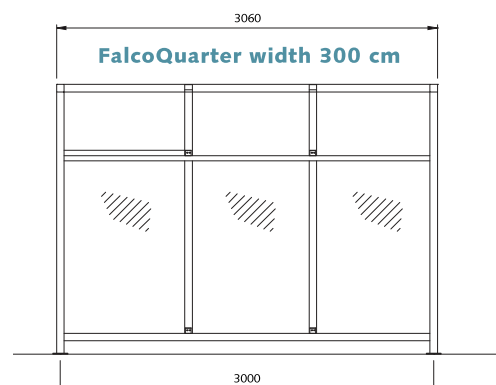
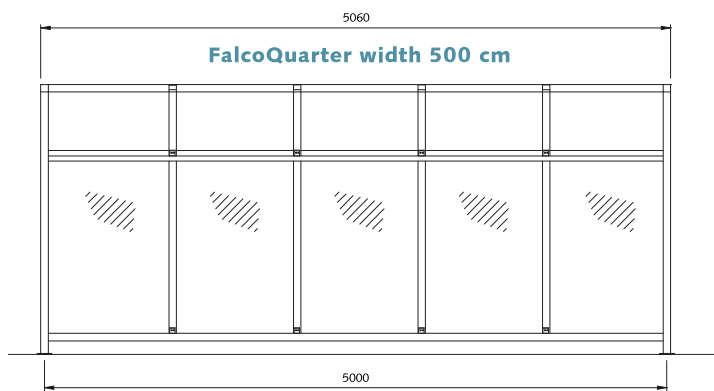
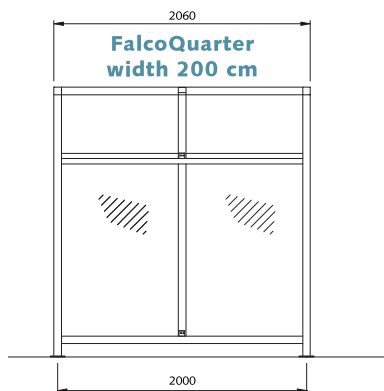
### FALCOQUARTER

The FalcoQuarter is one of Falco's newest and most versatile shelter designs. Developed to meet the needs of community projects where budget is the main constraint, the FalcoQuarter offers great flexibility and quality but for minimum cost.

The quarter name comes straight from the design shape of the quarter segment of a disk and provides great simplicity in both form and function.

Ideal for weather, cycle or wheelchair use, the FalcoQuarter is available in a wide range of options with bays in 2m, 3m, 4m and 5m variants enabling any size of shelter to be created. The simple design lines mean that the shelter can look inconspicuous if necessary by blending in with most surroundings.

The shelter is clad in robust PET or polycarbonate and together with the hot dip galvanised steel frame, is a substantial installation.



## FALCOQUARTER COMPOUND

With the addition of a simple walkway cover and optional gates front and rear, the FalcoQuarter can easily be made into a very versatile storage compound. Again with up to 5m variants, it is possible to create enclosed, weather proof spaces of any size.

The front and rear entrance/exits can be left open or closed off. Using robust metal gates, PET or polycarbonate sheets it is simple to create a secure compound which is lockable yet visible.

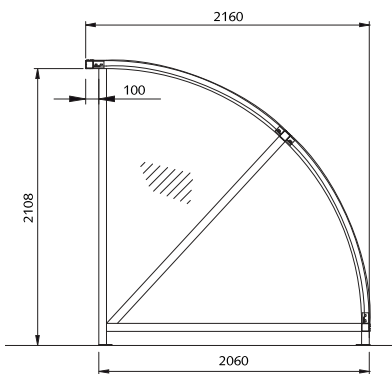
Like all Falco products, the FalcoQuarter is very robust with the steelwork being hot dip galvanised to BS EN 1461, for years of service.

Additionally the shelter can be polyester powder coated in any of the 192 colours of the RAL register to match a scheme or corporate colour.

## FALCOQUARTER

Part code	Description
78.209.040	single sided starter section with roof and back wall in clear PET, length 2000mm
78.209.700	additional charge for powdercoating in RAL
78.309.040	single sided starter section with roof and back wall in clear PET, length 3000mm
78.309.700	additional charge for powdercoating in RAL
78.409.040	single sided starter section with roof and back wall in clear PET, length 4000mm
78.409.700	additional charge for powdercoating in RAL
78.469.040	walkway cover, starter section, with roof in clear PET, length 4000mm
78.479.040	walkway cover, add-on section, with roof in clear PET, length 4000mm
78.509.040	walkway cover, starter section, with roof in clear PET, length 5000mm
78.509.700	additional charge for powdercoating in RAL
78.449.042	side wall in clear PET thick 5 mm

FalcoQuarter



FalcoQuarter compound with walkway cover

