



FALCOSAIL, SINGLE SIDED	
Part code	Description
77.309.050	FalcoSail starter section single sided, length 3000 mm
77.319.050	FalcoSail add-on section single sided, length 3000 mm
77.409.050	FalcoSail starter section single sided, length 4000 mm
77.419.050	FalcoSail add-on section single sided, length 4000 mm
77.449.052	prefab end wall covering of clear polycarbonate, delivery together with the shelter
77.449.1xx*	prefab end wall covering of Trespa Meteon sheet, colour*, delivery together with the shelter
These end walls can also be supplied in:	
code .145	Trespa, colour white, No. A03.0.0
code .149	Trespa, colour yellow, No. A04.1.7
code .153	Trespa, colour red, No. A12.3.7
code .157	Trespa, colour blue, No. A21.5.4
code .161	Trespa, colour grey, No. A03.4.0
code .165	Trespa, colour green, No. A32.7.2

FALCOSAIL, SINGLE SIDED

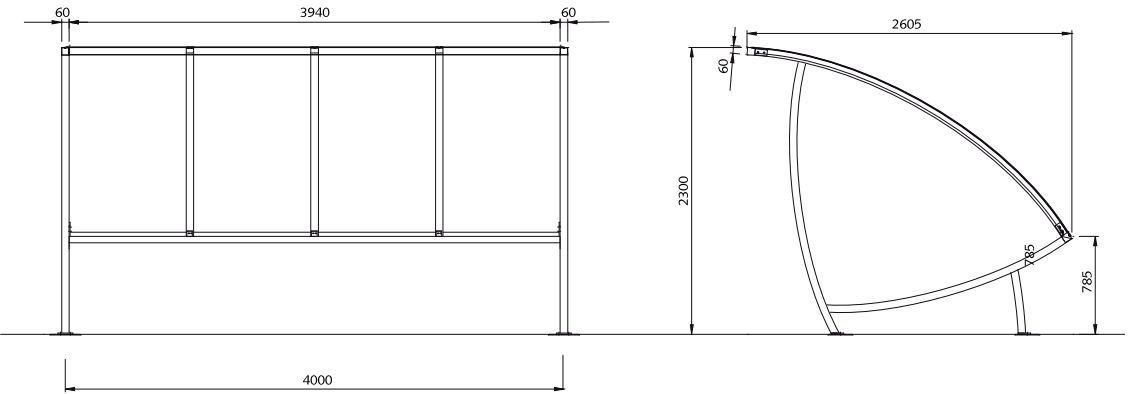
The FalcoSail shelter is a great design alternative to the FalcoLite or FalcoQuarter. The FalcoSail is a design led product and from any angle the likeness of a sail ship is unmistakable, making the shelter a very attractive addition to any external environment for use as a waiting, smoking or cycle storage shelter.

With both 3m and 4m options, there is great scope to extend ... this shelter can hold upwards of 8 cycles in an impressive design led solution. Like all Falco shelters, the FalcoSail is modular in design enabling a shelter to be built up to house any number of cycles in various combinations.

Clad in robust polycarbonate the steelwork is hot dip galvanised to BS EN 1461 and can be powder coated in any of the 192 RAL colours.

Also available in clear acrylic.

FalcoSail, single sided, Part code 77.409.050



FALCOSAIL, COMBI MODEL

As with the FalcoLite and FalcoQuarter it is possible to create a 'combi' style of compound or walkway by placing bays of FalcoSail facing each other. The use of a walkway cover between the bays ensures a weatherproof space for housing; cycles, pushchairs, motorcycles or virtually anything.

Additionally end panels can be manufactured from hard vandal resistant Trespa in a six different optional colours of; white, yellow, red, blue, grey or green.

FALCOSAIL, COMBI MODEL

Part code	Description
77.369.050	FalcoSail walkway cover, clear polycarbonate, 3000 mm
77.469.050	FalcoSail walkway cover, clear polycarbonate, 4000 mm

N.B. Polycarbonate has exceptional mechanical properties; in addition to its optical clarity it has a high ignition temperature. Plus where acrylic is approximately 25 times stronger than glass of the same thickness, polycarbonate is 250 times stronger giving it excellent impact resistance. It also has a low weight/area ratio of 1.2g/cm² - it is a great easily handled material.



FalcoSail, combi model

