



FALCOSPAN	
Part code	Description
21.023.000	roof, 2220x2220 mm (without uprights)
21.024.000	roof, 2750x2220 mm (without uprights)
21.025.000	roof, 3280x2220 mm (without uprights)
21.026.000	roof, 3810x2220 mm (without uprights)
21.027.000	roof, 4340x2220 mm (without uprights)
21.028.000	roof, 4870x2220 mm (without uprights)
21.029.000	roof, 5400x2220 mm (without uprights)
21.144.000	supporting column 120x120 mm as starter or end support, up to roof depth 2220 mm
21.144.100	supporting column 120x120 mm as intermediary support, up to roof depth 2220 mm
21.152.000	prefab roof joining frame, galvanised, length 2220 mm when using 21.144.100

FALCOSPAN

The FalcoSpan series of canopies offers great flexibility when providing an uncomplicated weather shelter. An exceptionally attractive and open shelter, very simple construction and great aesthetics.

Useful for smoking shelters, walkways, canopies, cycle shelters and general waiting areas, the FalcoSpan can cover every option.

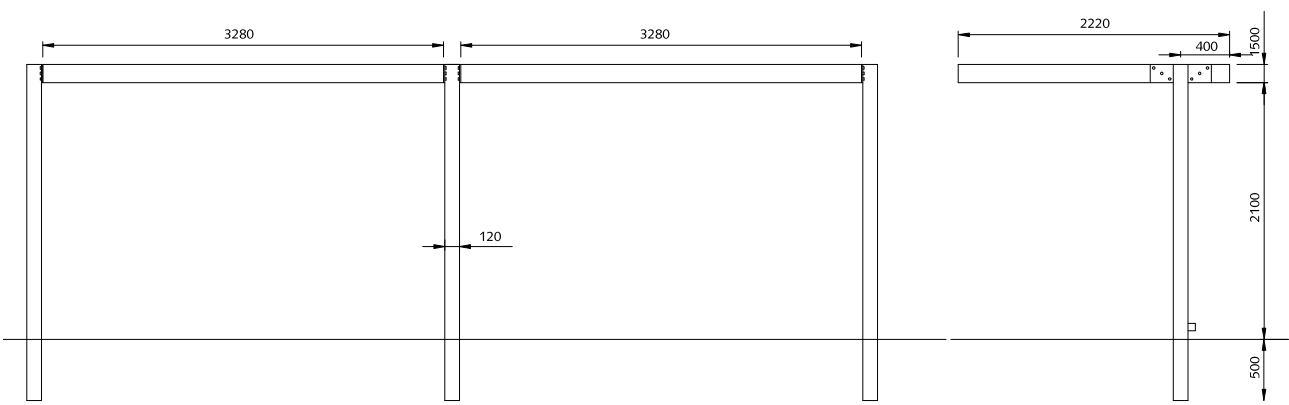
The cantilevered design is topped with a robust roof section which contains integral gutters enabling waste water to be discharged at ground level via the supporting uprights.

In two standard depths – 1,690mm and 2,220mm – the FalcoSpan is available in five different widths providing huge flexibility:

- 2,220mm
- 3,280mm
- 4,340mm
- 4,870mm
- 5,400mm

The standard roof sheets are in aluzinc corrugated metal, but other options are available if you require something to let the light in.

2x Part code 21.025.000 + 2x Part code 21.144.000 + 1x Part code 21.144.1000



FALCOSPAN

The FalcoSpan shelter is available with optional side panels to create a weather shelter or smoking shelter. The panels of safety glass are mounted on the canopy uprights and provide great weather protection whilst allowing maximum visibility.

Falco manufactures a full range of benches and litter bins to complement the shelter and can advise on suitable products to accompany the design.

At Falco we employ our own installation teams and can advise on design, siting and installation issues. The flexibility of the FalcoSpan range means that there is a solution to most canopy requirements.

N.B. Details CAD schematics and plans are available on request from our design department.

FALCOSPAN

Part code	Description
21.013.000	roof, 2220x1690 mm (without uprights)
21.015.000	roof, 3280x1690 mm (without uprights)
21.016.000	roof, 3810x1690 mm (without uprights)
21.017.000	roof, 4340x1690 mm (without uprights)
21.018.000	roof, 4870x1690 mm (without uprights)
21.019.000	roof, 5400x1690 mm (without uprights)
21.153.000	prefab joining roof frame 1690 mm
21.230.000	end support for glass wall
21.231.000	corner support for glass wall
21.233.170	glass wall width 2220 mm
21.235.170	glass wall width 3280 mm
21.237.170	glass wall width 4340 mm

FalcoSpan 4340x1690 mm, with glass walls

