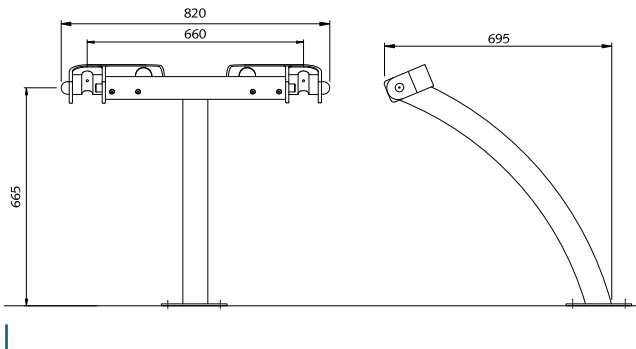


## U-LOK

The U-Lok is another innovative secure cycle parking system from Falco which provides integrated locking functionality for the cyclist. With this system, the cyclist need only carry a secure padlock rather than a heavy duty chain as well. As with the FalcoFunny, the cycle is supported by its frame in a plastic block to protect its paintwork. A sliding bolt mechanism is then moved across to secure the cycle in place and locked with the use of a padlock or standard cycle lock. Chain, cable and stirrup locks can also be used to secure the bicycle. When U-loks are used, it is very important to provide information to potential users. The U-lok does, incidentally, come with brief instructions as standard.

The U-lok is design-protected throughout Europe. The U-lok has no restrictions in terms of tyre width. Virtually any bicycle can be placed in the U-lok. The locking of the saddle tube and the height of the upright means that it is easy to use. It is not necessary to squeeze between the bicycles; users can remain behind the bicycle. The Falco U-lok is the right choice for safe and secure cycle parking. The U-loks are available in one height and are freestanding for 2 bicycles equidistant from one another. The U-lok uprights for 2 bicycles are best placed around 1350 mm apart.

### U-lok, Part code 01.620.248



## U-LOK

Part code	Description
01.620.000	U-lok for 2 bicycles equidistant, with anchor part to grout in
01.620.248	U-lok for 2 bicycles equidistant, with base plate
01.620.700	additional charge for powdercoating of main post in a RAL colour
01.620.701	additional charge for powdercoating of circular bracket in a different RAL colour in stead of red

The curved main support consists of a tube 76.1x2.9 mm and the cross tube is 70x2 mm. The circular bracket is 10 mm thick, powder coated in red and fitted with a plastic block. The sliding pin is made of solid round 20 mm steel and fitted with a hardwearing plastic sleeve in order to prevent damage to the bicycle.

All steel components are hot-dip galvanised in accordance with EN-ISO 1461.

The height of the U-lok above the surface is 695 mm, the total height is 820 mm. For installation purposes you can choose between an anchor part to grout in or a base plate for fixed concrete surfaces.

All steel products made by Falco are hot-dip galvanised according to the standard EN-ISO 1461. The addition of a powdercoating not only gives you extra protection but also the choice of a RAL colour to suit your requirements.

The robust tube and solid steel parts make sure that the U-lok has a long lifespan.

All these treatments provide the U-lok with great durability so that it can decorate your street scene for years.

