

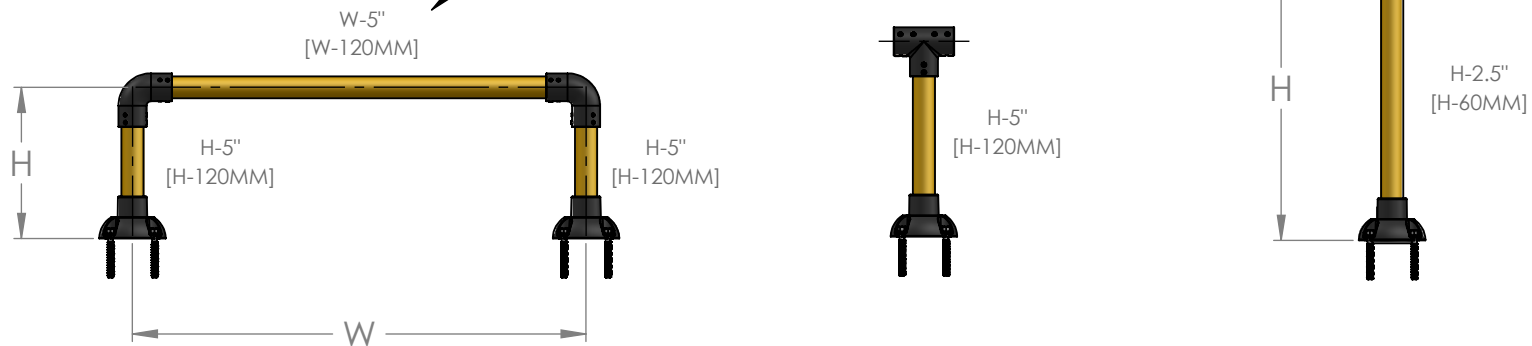
NOTES:

1. ALL MEASUREMENTS ROUNDED TO NEAREST 1" / 5MM
2. PIPE LENGTHS ARE FROM DESIRED CENTERLINES
3. CENTERLINES WILL VARY +/-0.5" [+/-10MM]
4. PIPE DIAMETER: 2.88" (US) / 76,1MM (ISO)

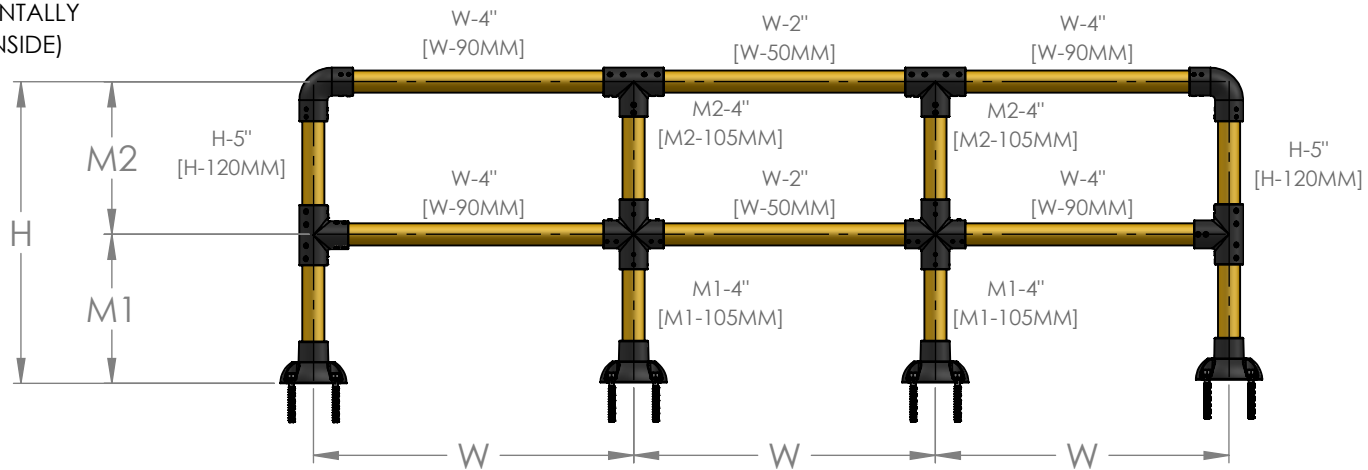
EXAMPLE:


600MM TALL X 1000MM WIDE HORSESHOE

VERTICAL PIPES: 600 - 120 = 480MM  
 HORIZONTAL PIPE: 1000 - 120 = 880MM



PIPES CAN SLIDE COMPLETELY THROUGH TEE AND HORIZONTALLY ON CROSSES (NO RIDGES INSIDE)



	<b>PROPRIETARY AND CONFIDENTIAL</b>		UNLESS OTHERWISE SPECIFIED:		IMPACT RECOVERY SYSTEMS, INC.®	
	THE INFORMATION CONTAINED IN THIS DRAWING IS THE SOLE PROPERTY OF IMPACT RECOVERY SYSTEMS, INC.® ANY REPRODUCTION IN PART OR AS A WHOLE WITHOUT THE WRITTEN PERMISSION OF IMPACT RECOVERY SYSTEMS, INC.® IS PROHIBITED.		DIMENSIONS ARE IN INCHES TOLERANCES:		TITLE: SLOWSTOP 3" (TYPE 1) PIPE LENGTH CALCULATIONS	
			INTERPRET GEOMETRIC TOLERANCING PER:		SIZE DWG. NO. REV	
					A	
4955 STOUT DR.   SAN ANTONIO, TX 78219   1-800-736-5256   impactrecovery.com					NAME: EA DATE: 11/12/25 COMMENTS:	SCALE: 1:25 WEIGHT: SHEET 1 OF 1

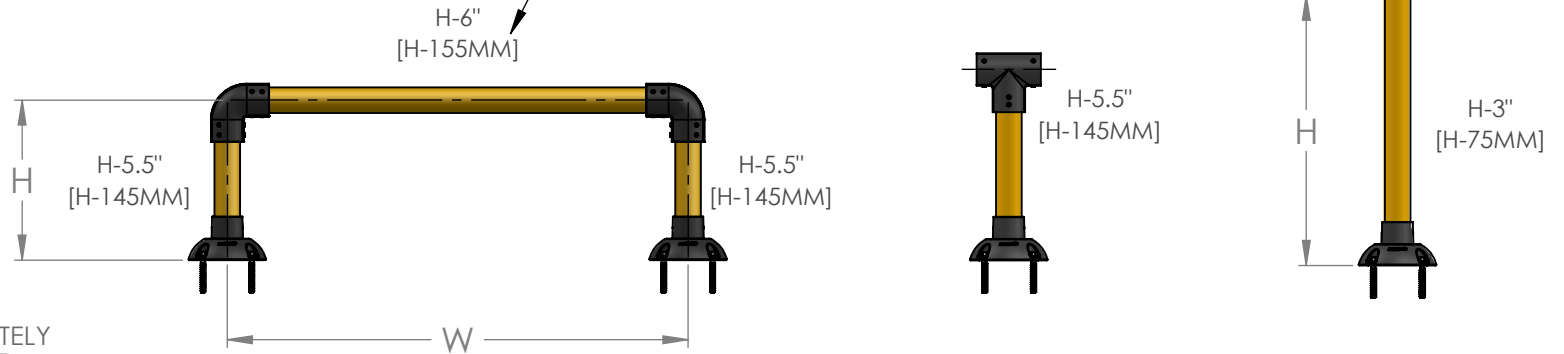
NOTES:

- 1. ALL MEASUREMENTS ROUNDED TO THE NEAREST 0.5" / 5MM
- 2. PIPE LENGTHS ARE FROM DESIRED CENTERLINES
- 3. CENTERLINES WILL VARY +/-0.5" [+/-10MM]
- 4. PIPE DIAMETER: 4.0" / 101.6MM

EXAMPLE:

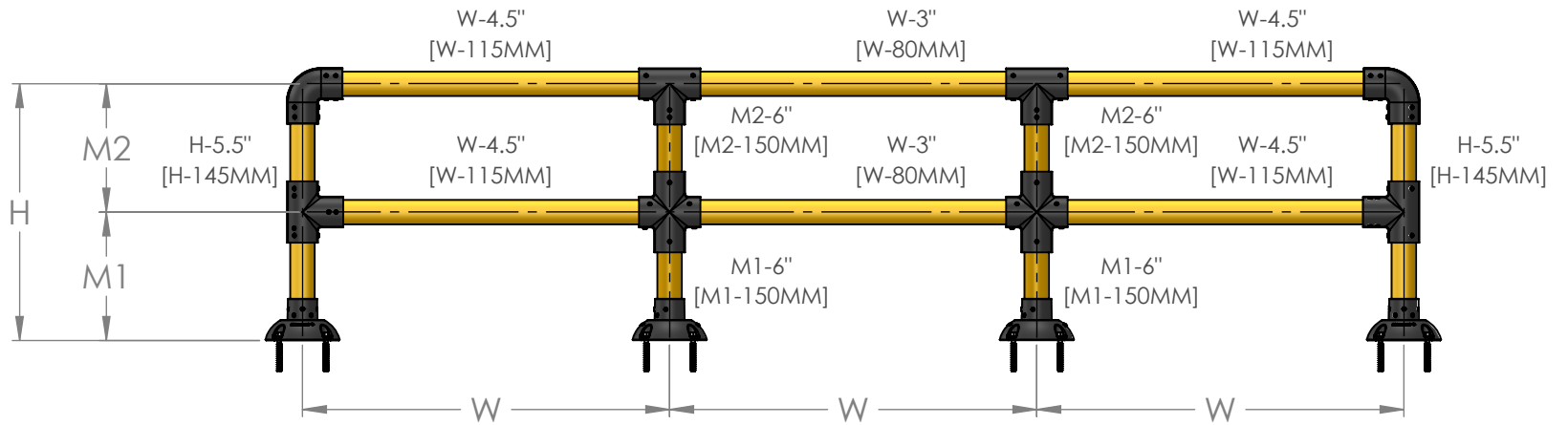
600 MM TALL X 1000MM WIDE HORSESHOE  
 VERTICAL PIPES: 600 - 145 = 455MM  
 HORIZONTAL PIPE: 1000 - 155 = 845MM

B



PIPE CAN SLIDE COMPLETELY THROUGH TEE PRODUCED 2016 OR LATER (NO RIDGES)

TEE WITH RIDGES  
 BASE TO TEE  
 TEE TO ELBOW  
 D - 5.5"  
 [D - 145MM]



A

A



**PROPRIETARY AND CONFIDENTIAL**  
 THE INFORMATION CONTAINED IN THIS DRAWING IS THE SOLE PROPERTY OF IMPACT RECOVERY SYSTEMS, INC.® ANY REPRODUCTION IN PART OR AS A WHOLE WITHOUT THE WRITTEN PERMISSION OF IMPACT RECOVERY SYSTEMS, INC.® IS PROHIBITED.

UNLESS OTHERWISE SPECIFIED:  
 DIMENSIONS ARE IN INCHES  
 TOLERANCES:  
 INTERPRET GEOMETRIC TOLERANCING PER:

	NAME	DATE	IMPACT RECOVERY SYSTEMS, INC.®	
DRAWN	EA	11/18/25	TITLE: SLOWSTOP 4" (TYPE 2) PIPE LENGTH CALCULATIONS	
CHECKED			SIZE	REV
COMMENTS:			<b>A</b>	2.0
			SCALE: 1:30	WEIGHT: SHEET 1 OF 1

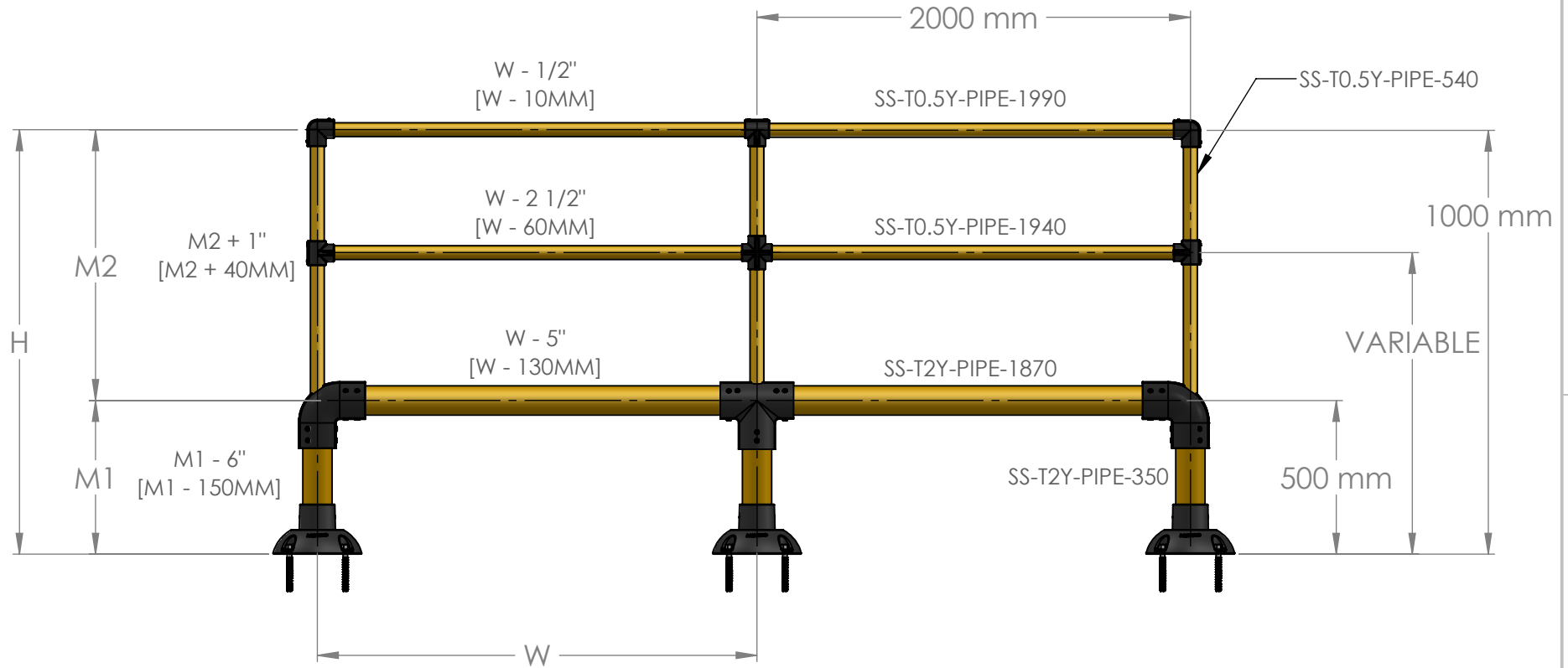
2

1

**NOTES:**

1. ALL MEASUREMENTS ROUNDED TO THE NEAREST 0.5" / 10MM
2. PIPE LENGTHS ARE FROM DESIRED CENTERLINES
3. UPPER HANDRAIL PIPE SHOULD REST ON VERTICAL ELEMENTS
4. MIDDLE HANDRAIL HEIGHT IS ADJUSTABLE

**METRIC EXAMPLE**



B

B

A

A



**PROPRIETARY AND CONFIDENTIAL**  
 THE INFORMATION CONTAINED IN THIS DRAWING IS THE SOLE PROPERTY OF IMPACT RECOVERY SYSTEMS, INC.® ANY REPRODUCTION IN PART OR AS A WHOLE WITHOUT THE WRITTEN PERMISSION OF IMPACT RECOVERY SYSTEMS, INC.® IS PROHIBITED.

UNLESS OTHERWISE SPECIFIED:  
 DIMENSIONS ARE IN INCHES TOLERANCES:  
 INTERPRET GEOMETRIC TOLERANCING PER:

	NAME	DATE	IMPACT RECOVERY SYSTEMS, INC.®	
DRAWN	EA	11/12/25	TITLE: SLOWSTOP 4" (TYPE 2) HANDRAIL PIPE CALCULATIONS	
CHECKED			SIZE	DWG. NO.
COMMENTS:			<b>A</b>	REV 2.0
			SCALE: 1:22	WEIGHT: SHEET 1 OF 1

2

1

2

1

NOTES:

- 1. ALL MEASUREMENTS ROUNDED TO NEAREST 1" / 5MM
- 2. PIPE DIAMETER: 5.56" (US) / 139,7MM (ISO)

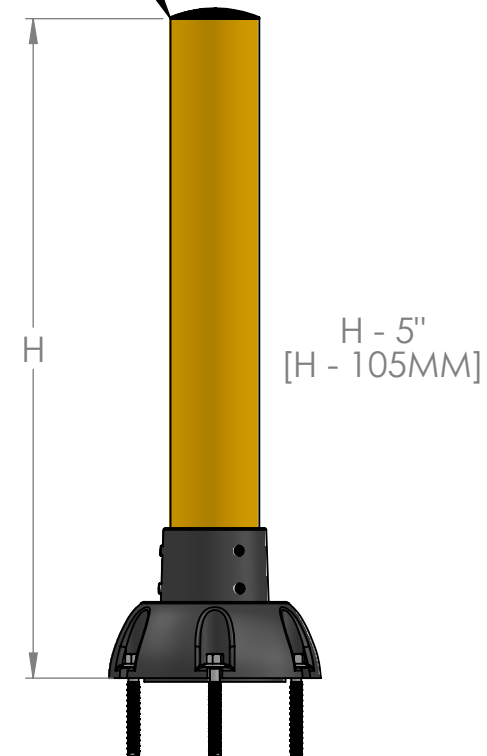
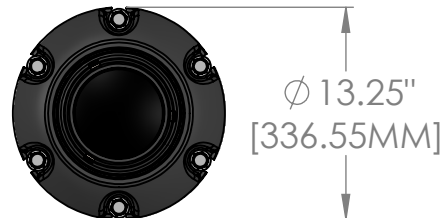
EXAMPLES:

1000MM TALL BOLLARD

VERTICAL PIPE: 1000 - 105 = 895MM

42" TALL BOLLARD

VERTICAL PIPE: 42" - 5" = 37"



B

B

A

A



PROPRIETARY AND CONFIDENTIAL

THE INFORMATION CONTAINED IN THIS DRAWING IS THE SOLE PROPERTY OF IMPACT RECOVERY SYSTEMS, INC.® ANY REPRODUCTION IN PART OR AS A WHOLE WITHOUT THE WRITTEN PERMISSION OF IMPACT RECOVERY SYSTEMS, INC.® IS PROHIBITED.

UNLESS OTHERWISE SPECIFIED:

DIMENSIONS ARE IN INCHES TOLERANCES:

INTERPRET GEOMETRIC TOLERANCING PER:

	NAME	DATE	IMPACT RECOVERY SYSTEMS, INC.®	
DRAWN	EA	11/18/25	TITLE: SLOWSTOP 5" (TYPE 2.5) PIPE LENGTH CALCULATIONS	
CHECKED			SIZE	REV
COMMENTS:			<b>A</b>	2.0
			DWG. NO.	
SCALE: 1:12		WEIGHT:	SHEET 1 OF 1	

2

1

2

1

NOTES:

1. ALL MEASUREMENTS ROUNDED TO NEAREST 1" / 5MM
2. PIPE LENGTHS ARE FROM DESIRED CENTERLINES
3. CENTERLINES WILL VARY ±0.5" [±10MM]
4. PIPE DIAMETER: 6.63" (US) / 178 MM (ISO)
5. BASE SIZE 16.1" X 16.1" / 410 MM X 410 MM
6. MAXIMUM HORIZONTAL CENTERS 60" / 1.5M

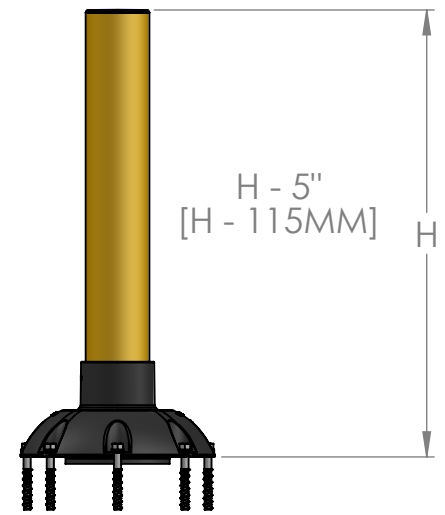
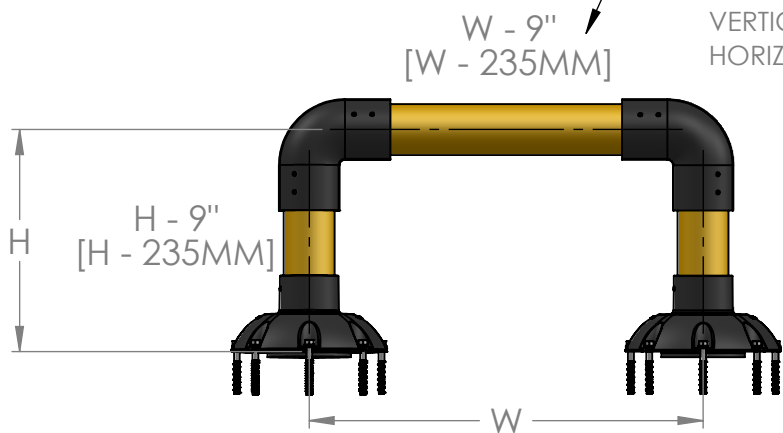
EXAMPLE:

600 MM TALL X 1000 MM WIDE HORSESHOW

VERTICAL PIPES: 600 - 235 = 365 MM  
 HORIZONTAL PIPES: 1000 - 235 = 765 MM

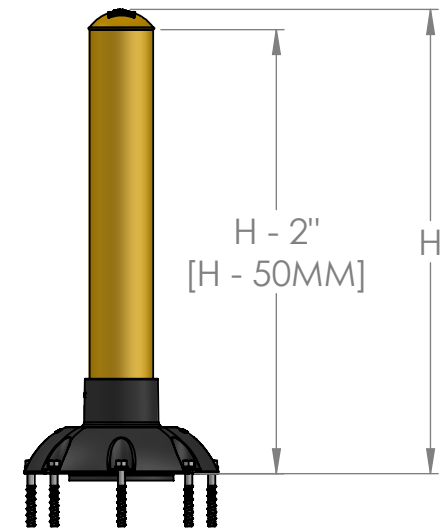
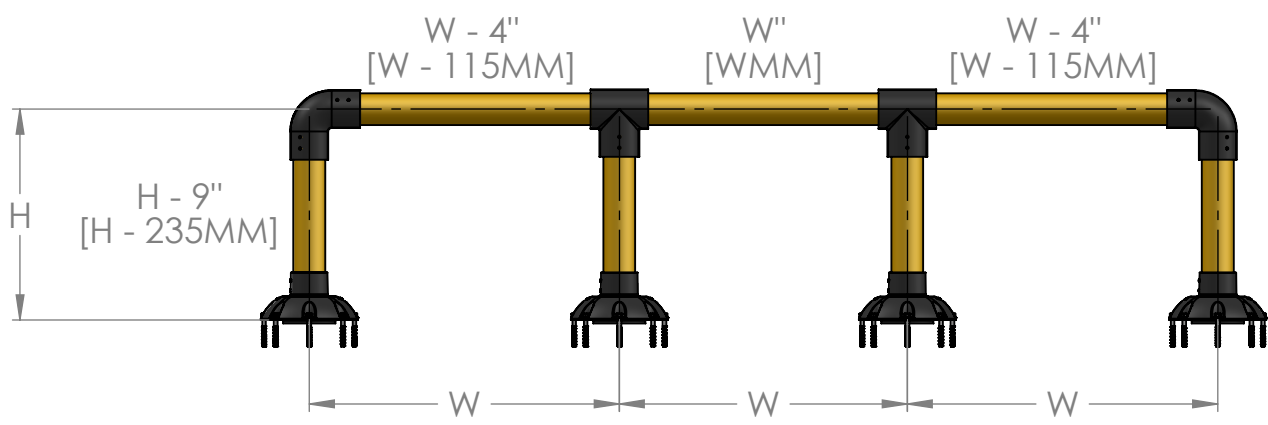
B

B



A

A



PIPES CAN SLIDE COMPLETELY THROUGH TEE (NO RIDGES INSIDE)



**PROPRIETARY AND CONFIDENTIAL**  
 THE INFORMATION CONTAINED IN THIS DRAWING IS THE SOLE PROPERTY OF IMPACT RECOVERY SYSTEMS, INC.® ANY REPRODUCTION IN PART OR AS A WHOLE WITHOUT THE WRITTEN PERMISSION OF IMPACT RECOVERY SYSTEMS, INC.® IS PROHIBITED.

UNLESS OTHERWISE SPECIFIED:  
 DIMENSIONS ARE IN INCHES TOLERANCES:  
 INTERPRET GEOMETRIC TOLERANCING PER:

	NAME	DATE
DRAWN	EA	8/20/25
CHECKED		
COMMENTS:		

IMPACT RECOVERY SYSTEMS, INC.®		
TITLE: SLOWSTOP 6" (TYPE 3) PIPE LENGTH CALCULATIONS		
SIZE	DWG. NO.	REV
<b>A</b>		<b>2.0</b>
SCALE:	WEIGHT:	SHEET 1 OF 1

2

1